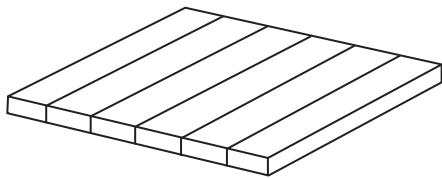
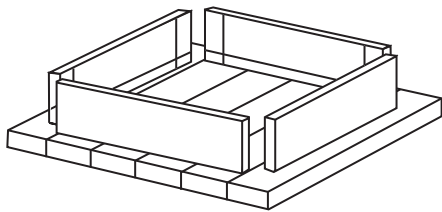


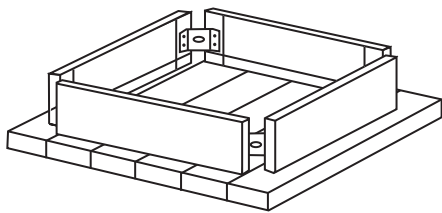
FLAT PACK *Work Island* ASSEMBLY INSTRUCTIONS



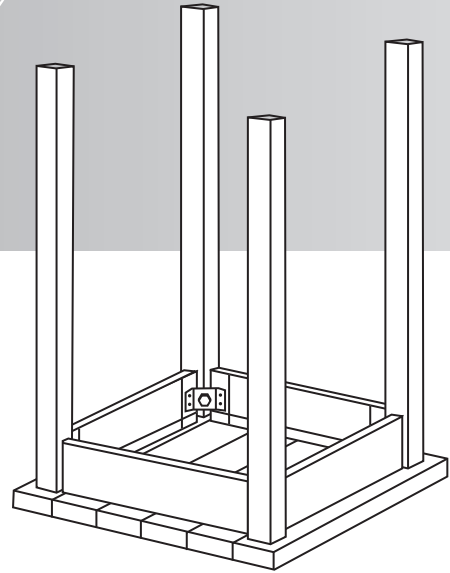
- 1** Place top on flat surface
(best side facing down)



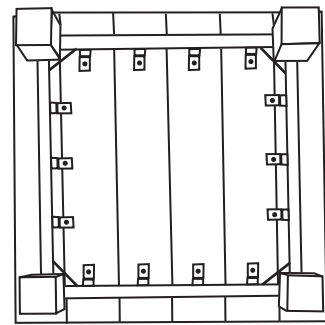
- 2** Position four rail pieces
(machined grooves facing centre)



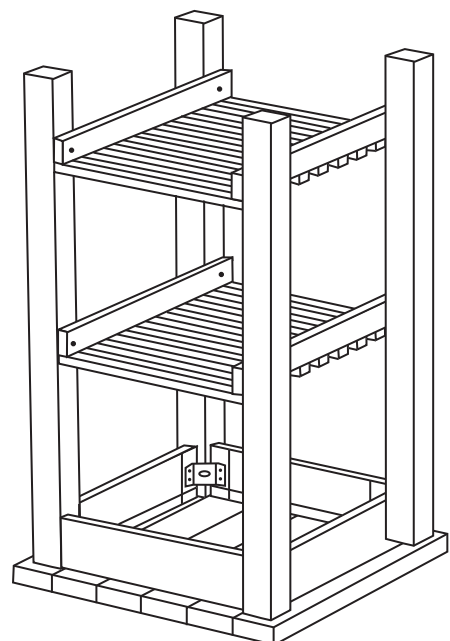
- 3** Connect rail pieces by attaching
leg brackets using screws



- 4** Attach legs by bolting through the
brackets using coach screws



- 5** Attach frame to work top using
Z clips and screws



- 6** Position shelves using spacers
provided and attach with screws


CASTLE TIMBERS
TIMBER PRODUCTS & MOULDINGS
... your home is your castle

T: +27 21 951 2696/8 | F: +27 21 951 2673

www.castletimbers.co.za